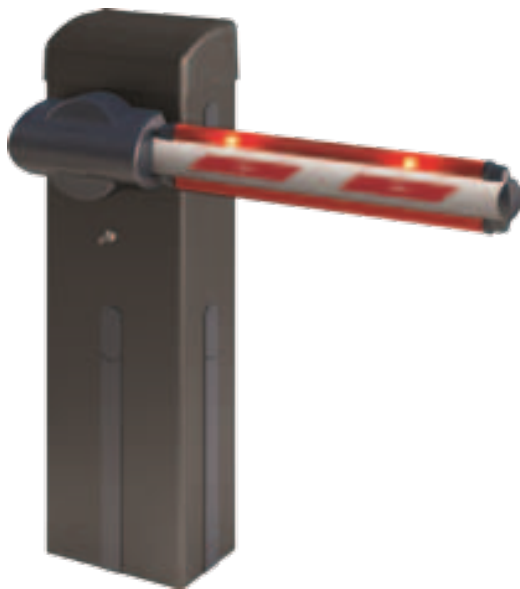
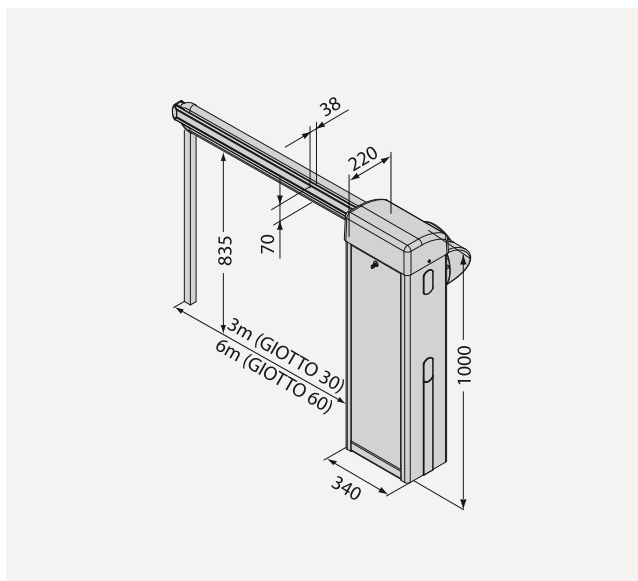


GIOTTO



Range of barriers for intensive and very intensive use, able to manage useful passages up to 6m. Available in 24V versions, they have a wide range of accessories making them ideal in any context.

DIMENSIONS (mm)



AUTOMATIC BARRIERS

TECHNICAL FEATURES

	GIOTTO 30 BT	GIOTTO 30S BT	GIOTTO 60 BT	GIOTTO 60S BT
Useful passage	3 m	3 m	6 m	6 m
Control unit	LIBRA C G	LIBRA C GS	LIBRA C G	LIBRA C GS
Motor power supply	24 V	24 V	24 V	24 V
Opening or closing time	4 sec	2.5 sec	5 sec	4 sec
Slowdown	adjustable	adjustable	adjustable	adjustable
Release	personal release key	personal release key	personal release key	personal release key
Frequency of use	intensive	very intensive	intensive	very intensive
Environmental conditions	from -10/(-40 with acc. thermo) °C to 55 °C	from -10/(-40 with acc. thermo) °C to 55 °C	from -10/(-40 with acc. thermo) °C to 55 °C	from -10/(-40 with acc. thermo) °C to 55 °C
Protection rating	IP54	IP54	IP54	IP54



Code	Name		Price (€)	Description
P940058 00002	GIOTTO 30 BT		1121.70	Barrier with 24 V motor power supply for clear opening up to 3 m and opening time 4 sec . Impact resistance by means of encoder. Grey RAL 7015
P940058 00102	GIOTTO 30 BT RAL		2092.00	Barrier with 24 V power supply for clear opening up to 3 m and opening time 4 sec . Impact resistance by means of encoder. RAL colour as requested
P940059 00002	GIOTTO 30S BT		1266.10	Barrier with 24 V motor power supply for clear opening up to 3 m and opening time 2.5 sec . Impact resistance by means of encoder. Grey RAL 7015
P940059 00102	GIOTTO 30S BT RAL		2232.20	Barrier with 24 V power supply for clear opening up to 3 m and opening time 2.5 sec . Impact resistance by means of encoder. RAL colour as requested
P940059 00001	GIOTTO 30S BT 120		1266.10	Barrier with 24 V power supply for clear opening up to 3 m and opening time 2.5 sec. Impact resistance by means of encoder.
P940059 00101	GIOTTO 30S BT 120 RAL		2232.20	Barrier with 24 V power supply for clear opening up to 3 m and opening time 2.5 sec. Impact resistance by means of encoder.
P940060 00002	GIOTTO 60 BT		1193.10	Barrier with 24 V motor power supply for clear opening up to 6 m and opening time 5 sec . Impact resistance by means of encoder. Grey RAL 7015
P940060 00102	GIOTTO 60 BT RAL		2161.30	Barrier with 24 V power supply for clear opening up to 6 m and opening time 5 sec . Impact resistance by means of encoder. RAL colour as requested
P940061 00002	GIOTTO 60S BT		1341.20	Barrier with 24 V motor power supply for clear opening up to 6 m and opening time 4 sec . Impact resistance by means of encoder. Grey RAL 7015
P940061 00102	GIOTTO 60S BT RAL		2305.20	Barrier with 24 V power supply for clear opening up to 6 m and opening time 4 sec . Impact resistance by means of encoder. RAL colour as requested
P940061 00001	GIOTTO 60S BT 120		1341.20	Barrier with 24 V power supply for clear opening up to 6 m and opening time 4 sec. Impact resistance by means of encoder.
P940061 00101	GIOTTO 60S BT 120 RAL		2305.20	Barrier with 24 V power supply for clear opening up to 6 m and opening time 4 sec. Impact resistance by means of encoder.

LIBRA C G : Built-in control panel for Giotto BT barrier

- Main features: Integrated dual-channel receiver, D-Track anti-crushing system, slowdown during opening and closing

LIBRA C GS : Built-in control unit for Giotto BT S barrier

- Main features: Integrated dual-channel receiver, D-Track anti-crushing system, slowdown during opening and closing

RECOMMENDED ACCESSORIES

	D730251 - CBO - € 30.40 Anchor base for MOOVI and GIOTTO series barriers		N728033 - AQ3 - € 94.20 Complete 3-metre rectangular boom for MOOVI/GIOTTO
	N728034 - AQ5 - € 151.90 Complete 5 metre rectangular boom for GIOTTO and MOOVI		N999507 - OMEGA AQ - € 55.40 Pack of accessories for installation of 3/5 m rectangular boom for MOOVI/GIOTTO
	N728031 - AT3 - € 94.20 Complete 3 metre round boom for MOOVI/GIOTTO		N728032 - AT5 - € 151.90 Complete 5 metre round boom for MOOVI/GIOTTO
	N728038 - AT6 - € 188.70 Complete 6 metre round boom for MOOVI/GIOTTO		N999513 - OMEGA AT - € 70.70 Pack of accessories for installation of 3/6 m round boom for MOOVI/GIOTTO



Complete Systems P. 248



phase out



accessories P. 238

control unit
accessories for control units
set of batteries for control units
expansion boards
software
receivers
transmitters
control devices

P. 230
P. 238
P. 238
P. 239
P. 240
P. 240
P. 241
P. 241

activation sensors automatic doors and security
signalling devices
safety devices - Photocells and accessories
safety devices - Sensitive edges
rubber profiles
solenoid locks
release systems

P. 242
P. 243
P. 243
P. 245
P. 245
P. 246
P. 246



	P120023 - FAF 2 - € 92.40 Rest fork for booms. For bolting to ground.		D573003 - SB - € 49.80 Aluminium skirt for road barrier booms. Price per linear metre (Calculate length of useful passage minus 40cm)
	P120001 00001 - KIT LIGHT - € 117.10 Lights on boom 3 or 4.5 m		P120001 00002 - KIT LIGHT1 - € 156.90 Lights for booms over 4.5 m
	P120028 00001 - PCA N3 - € 35.20 Top and bottom rubber cover profile for booms of 3 m max.		P120028 00002 - PCA N4 - € 42.00 Top and bottom rubber cover profile for booms of 4 m max.
	P120028 00003 - PCA N5 - € 52.40 Top and bottom rubber cover profile for booms of 5 m max.		P120028 00004 - PCA N6 - € 63.00 Top and bottom rubber cover profile for booms of 6 m max.
	P120026 - ZFAF2 - € 26.50 Additional anchor plates for cementing FAF2 forks to ground.		D940007 - GAM - € 35.10 Mobile rest leg for BGV barrier boom (not usable on BGV 30)
	D940008 - GA AQ AT - € 55.50 Movable support leg for AQ or AT booms (on MOOVI, MICHELANGELO and GIOTTO barriers)		D940009 - GAMA AQ AT - € 82.90 Dampened movable support leg for AQ or AT booms (on MOOVI, MICHELANGELO and GIOTTO barriers)
	N190104 - BIR C - € 21.10 Rubber safety edge (H 30 mm), price per m		P111401 00001 - VENTIMIGLIA NS - € 77.10 Infrared device for BIR C or BAR C safety edges (conforms to EN 12978 Standard)
	P120017 - BAT KIT 1 - € 117.00  Set of backup batteries for GIOTTO series barriers. Not compatible with GIOTTO BT A		P120018 - THERMO - € 112.00 Thermostatically controlled heating element for use of GIOTTO BT A, MOOVI, MICHELANGELO BT A barriers to ambient temperatures of -40°C
	P111376 - SCS 1 - € 13.70 Serial board for connection to zone and opposing leaves for control units with display While stocks last		P111001 00003 - RME 2 - € 235.83 230Vac dual channel metal object detector with installation base
	P111274 - RME 1 BT - € 232.70 24Vac single channel metal object detector with installation base		D110926 00001 - SPIRA 2X1 - € 68.97 Magnetic loop 2 x 1 m